



FOUNTAIN PUMPS **Maxsolair**

Solar Services

JHJ Fountain Pumps.....	4
JHQ Fountain Pumps.....	6

JHJ FOUNTAIN PUMP

These pumps can be used in water features, fountains, aquariums and ponds for circulation.

They are highly energy efficient and have a long service life.

PERFORMANCE RANGE

Maximum head: 2m
 Maximum flow: 1400L/h
 Power: 16W & 28W



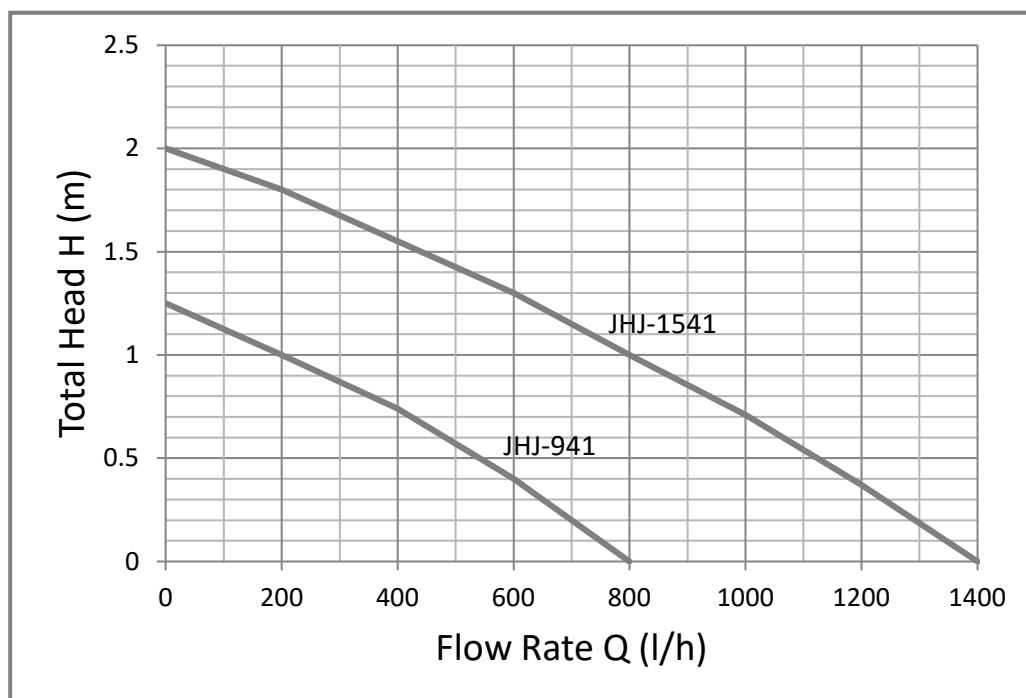
OPERATING LIMITS

Maximum liquid temperature: 40°C
 Length of operating time: Continuous duty

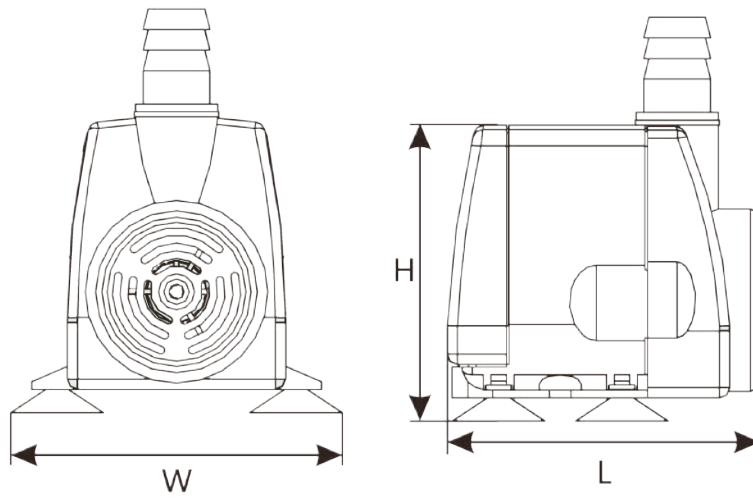
PERFORMANCE CHART

MODEL	OUTPUT POWER (W)	MAX HEAD (m)	MAX FLOW (l/h)	CABLE LENGTH (m)	PLUG	WEIGHT (kg)	DIMENSIONS L x W x H (mm)
JHJ-941	16	1.3	800	1.5	2 point	0.45	82x73x75
JHJ-1541	28	2	1400	1.8	2 point	0.75	102x98x100

PERFORMANCE CURVES



DIAGRAM



DIMENSIONS

MODEL	WEIGHT	L	W	H
JHJ-941	0.45kg	82mm	73mm	75mm
JHJ-1541	0.75kg	102mm	98mm	100mm

JHQ FOUNTAIN PUMP

These pumps can be used in water features, fountains, aquariums and ponds for circulation.

They are highly energy efficient and have a long service life.

PERFORMANCE RANGE

Maximum head: 2.5m
 Maximum flow: 2000L/h
 Power: 55W



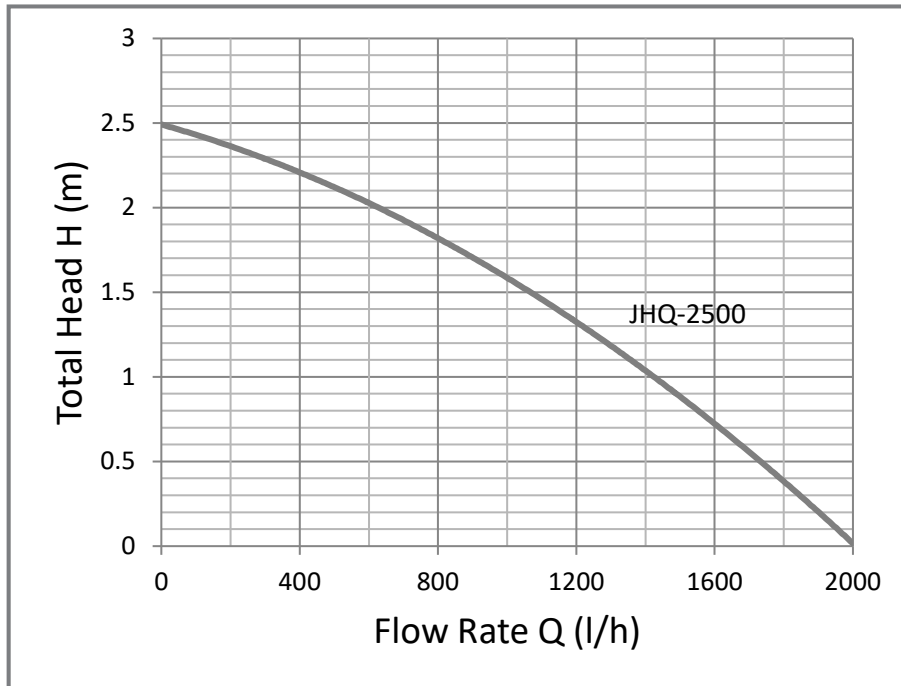
OPERATING LIMITS

Maximum liquid temperature: 40°C
 Length of operating time: Continuous duty

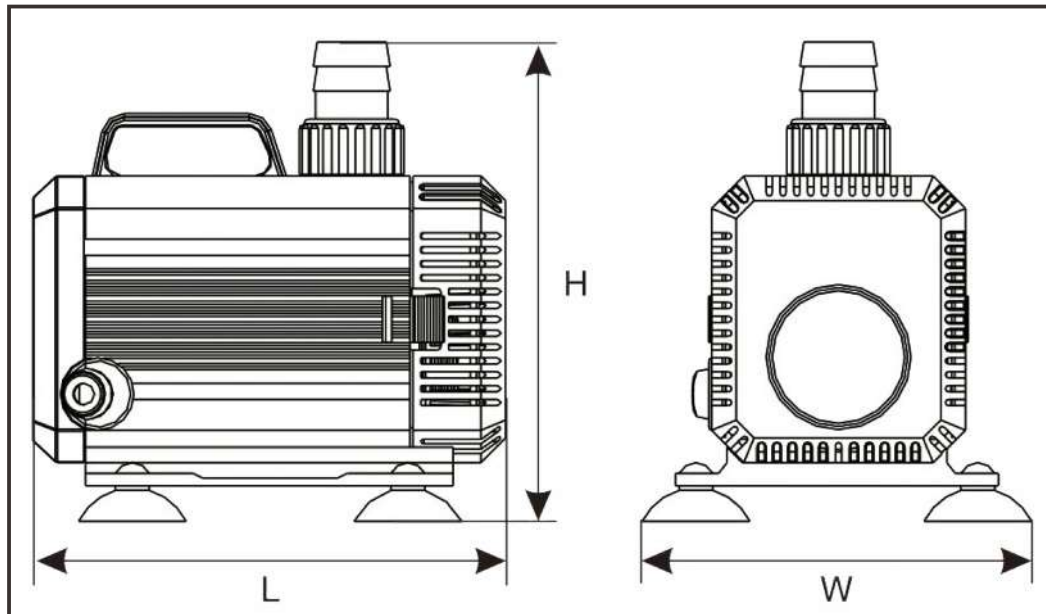
PERFORMANCE CHART

MODEL	OUTPUT POWER (W)	MAX HEAD (m)	MAX FLOW (l/h)	CABLE LENGTH (m)	PLUG	WEIGHT (kg)	DIMENSIONS L x W x H (mm)
JHQ-2500	55	2.5	2000	5	3 point	1.2	153x105x135

PERFORMANCE CURVES



DIAGRAM



DIMENSIONS

MODEL	WEIGHT	L	W	H
JHQ-2500	1.2kg	153mm	105mm	135mm

