



HOT WATER CIRCULATION Maxsolair

Solar Services



| | |
|-----------------------|---|
| TECHNICAL DATA..... | 4 |
| JCR25/7 | |
| PERFORMANCE DATA..... | 5 |
| DIMENSIONS..... | 5 |
| JCR40/4 | |
| PERFORMANCE DATA..... | 7 |
| DIMENSIONS..... | 7 |

JCR HOT WATER CIRCULATION PUMP

TECHNICAL DATA

| | |
|--------------------------|---------|
| Single phase | |
| Continuous duty rated | |
| Max. liquid temperature: | 110°C |
| Noise: | <45dB |
| Insulation: | Class F |
| Protection class: | IP44 |

CONSTRUCT

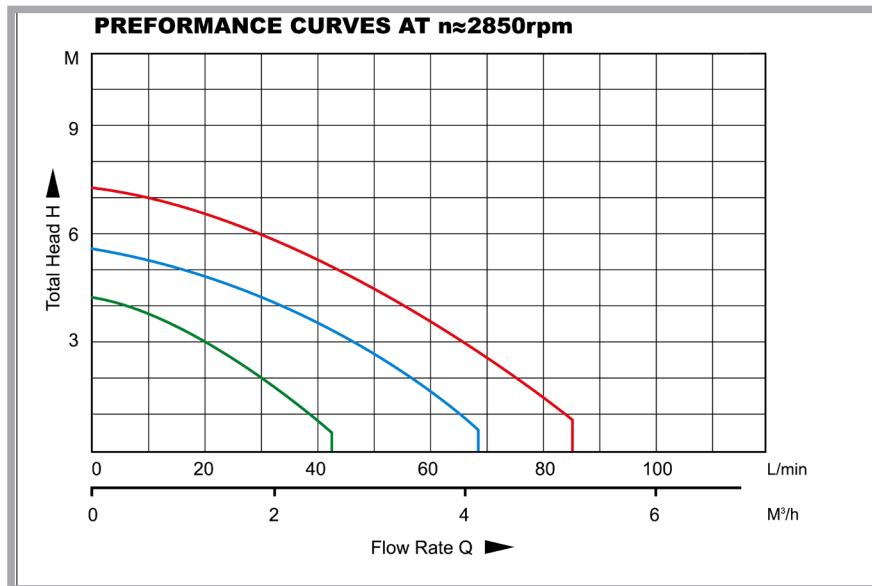
| | |
|-------------|-------------|
| Pump body: | Cast Iron |
| Impeller: | PA66 |
| Pump shell: | Aluminium |
| Motor wire: | 100% Copper |
| Shaft: | Ceramic |
| Bearing: | Ceramic |
| Rotor: | Copper wire |

Unions are included with the purchase of this product.

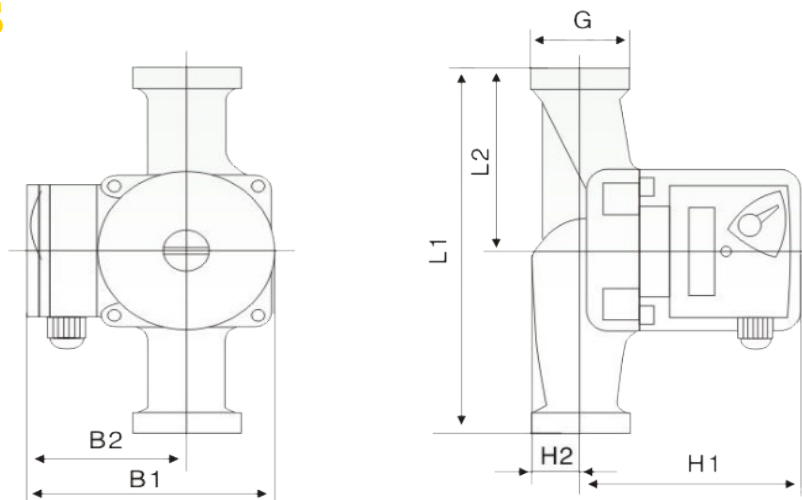
PERFORMANCE DATA

| MODEL | INPUT POWER (W) | VOLTAGE (V/Hz) | INLET&OUTLET SIZE (mm) | SPEED (r/m) | MAX. FLOW (L/min) | MAX. HEAD (m) | GW (kg) |
|---------|-----------------|-----------------|------------------------|-------------|-------------------|---------------|---------|
| JCR25/7 | 135 | 220 ~240V /50Hz | 25 | 2620 | 65 | 7 | 2.8 |
| | 93 | | | 2180 | 44 | 6.5 | |
| | 67 | | | 1780 | 22 | 4.5 | |

PERFORMANCE CURVES



DIMENSIONS

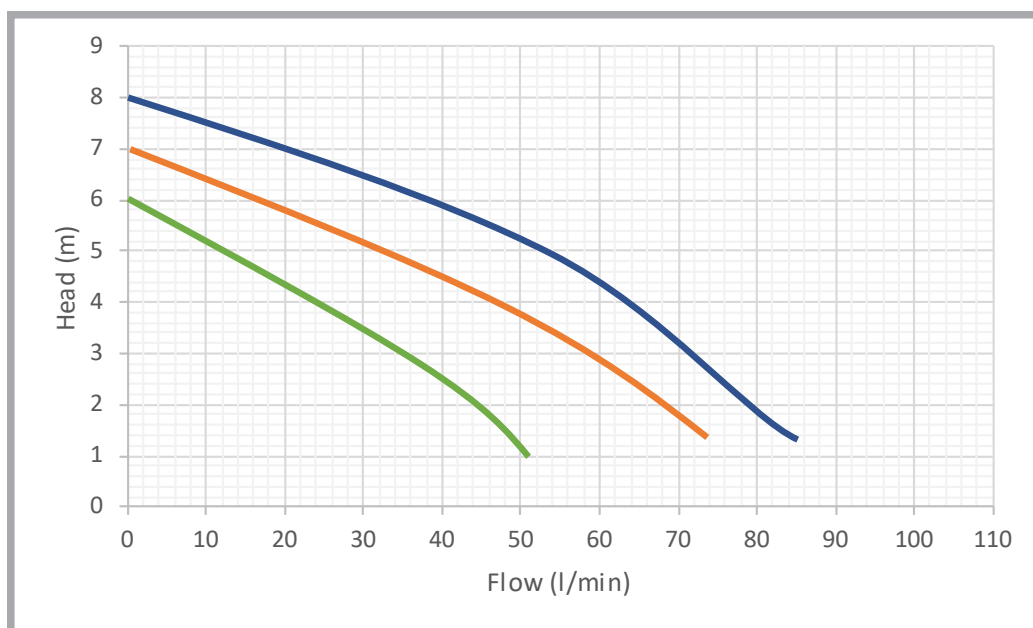


| MODEL | G (inch) | L1 (mm) | L2 (mm) | H1 (mm) | H2 (mm) | B1 (mm) | B2 (mm) |
|---------|----------|---------|---------|---------|---------|---------|---------|
| JCR25/4 | 1" | 180 | 65 | 105 | 28 | 125 | 80 |

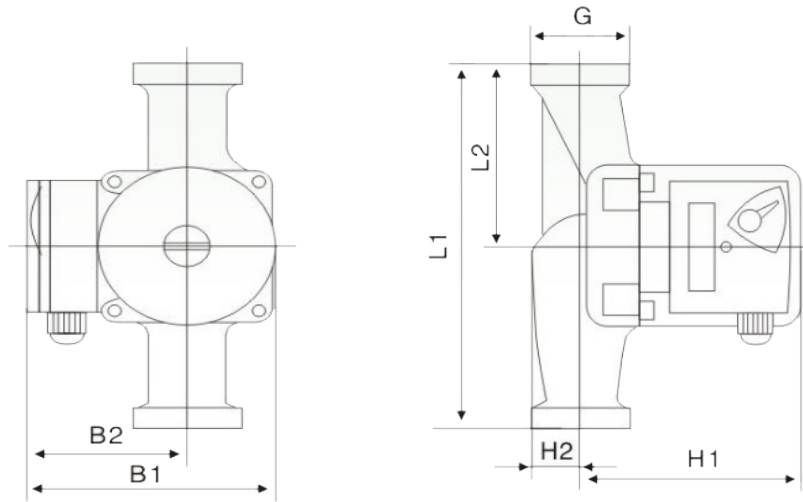
PERFORMANCE DATA

| MODEL | INPUT POWER | VOLTAGE | INLET&OUT-LET SIZE | SPEED | MAX. FLOW | MAX. HEAD | GW |
|---------|-------------|-----------------|--------------------|-------|-----------|-----------|------|
| | (W) | (V/Hz) | (mm) | (r/m) | (L/min) | (m) | (kg) |
| JCR40/8 | 220 | 220 ~240V /50Hz | 40 | 2410 | 95 | 8 | 4.2 |
| | 180 | | | 2080 | 80 | 7 | |
| | 115 | | | 1680 | 55 | 6 | |

PERFORMANCE CURVES



DIMENSIONS



| MODEL | G | L1 | L2 | H1 | H2 | B1 | B2 |
|---------|-------------------|------|------|------|------|------|------|
| | (inch) | (mm) | (mm) | (mm) | (mm) | (mm) | (mm) |
| JCR40/8 | 1 $\frac{1}{2}$ " | 180 | 65 | 108 | 29 | 125 | 80 |

